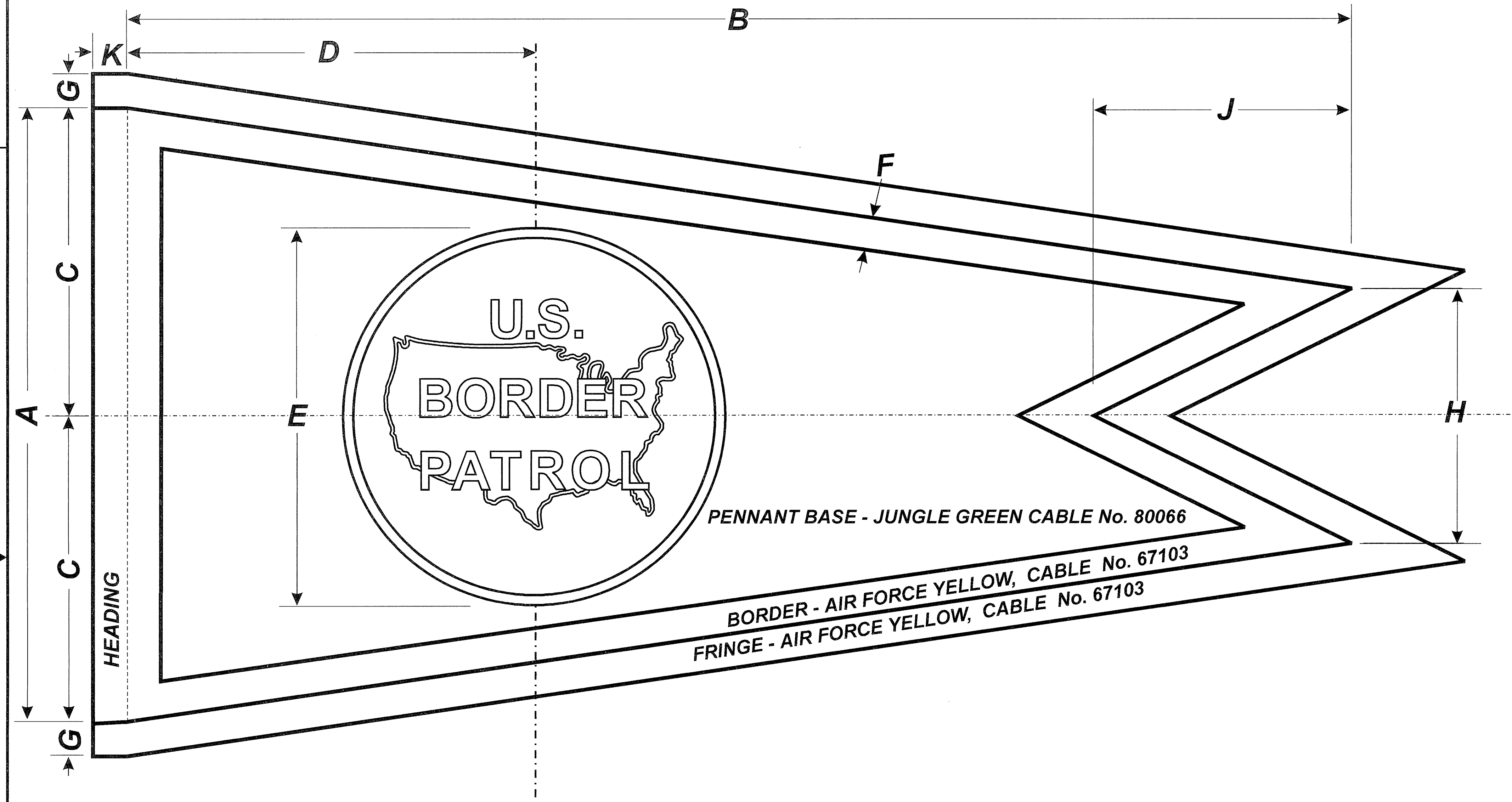


REVISIONS			
ZONE/LTR	DESCRIPTION	DATE	APPROVED
7 C	CLOSED SPACE BETWEEN U. AND S.	11 JUN '99	<i>[Signature]</i>



NOTES:

1. TO BE MANUFACTURED IN ACCORDANCE WITH LATEST REVISION OF SPECIFICATION MIL-DTL-2692.
 2. THE SEAL SHALL APPEAR AS ILLUSTRATED ON BOTH SIDES OF THE PENNANT
 3. INDOOR PENNANTS - SEAL TO BE APPLIQUE AND EMBROIDERY, OR SCREEN PRINTED AND APPLIED TO PENNANT BASE WITH AF YELLOW EMBROIDERY (AF YELLOW, CABLE No. 67103).
 4. OUTDOOR PENNANT - SEAL TO BE SCREEN PRINTED AND APPLIED TO BOTH SIDES OF PENNANT BASE WITH AF YELLOW EMBROIDERY, (AF YELLOW, CABLE No. 67103).
- OR
- ENTIRE PENNANT TO BE SCREEN PRINTED UTILIZING PENETRATING DYES. THE OBVERSE SIDE SHALL BE A GOOD MATCH TO THE COLORS SPECIFIED. A SLIGHT CHANGE IN COLOR SHALL BE ALLOWED ON THE REVERSE SIDE.
5. ALL SCREEN PRINTING SHALL BE DONE WITH SCREENS MADE BY THE PHOTOGRAPHIC METHOD AND COLORS SEPARATED IN ACCORDANCE WITH COLORS SPECIFIED ON THE DEVICE DRAWING.
 6. ALL DIMENSIONS ARE EXCLUSIVE OF HEMS.
 7. HEADING TYPE FOR OUTDOOR PENNANTS MAY BE CHANGED IN ACCORDANCE WITH NEEDS OF USER.
 8. FOR HEADING SEE TIOH DWG 5-1-45B, E OR G
 9. FRINGE WILL BE USED WHEN SPECIFIED

MATERIALS:

INDOOR PENNANTS
 PENNANT BASE - - - - RAYON BANNER CLOTH
 FRINGE - - - - RAYON, 2-1/2" WIDTH
 SEAL - - - - RAYON, APPLIQUE AND EMBROIDERY, OR SCREEN PRINTED

OUTDOOR PENNANT
 PENNANT BASE - - - - LIGHTWEIGHT NYLON
 SEAL - - - - LIGHTWEIGHT NYLON, SCREEN PRINTED

COLORS AND CABLE NUMBERS OF COLORS CLOTH YARNS

PENNANT BASE - - - - JUNGLE GREEN - - - - 80066
 FRINGE - - - - AIR FORCE YELLOW - - - - 67103
 SEAL
 BACKGROUND - - - - FLAG BLUE - - - - 80077
 BORDER,
 LETTERS, AND,
 MAP OUTLINE - - - AIR FORCE YELLOW - - - - 67103

SCALE: 3" = 1' - 0" (1/4 SIZE) FOR 3' X 6' BURGEE PENNANT

No. OF LINE	KIND	DIMENSIONS										HEADING	
		A	B	C	D	E - DIA.	F	G	H	J	K	TYPE	DWG No.
1.	OUTDOOR PENNANT	48" (1.22M)	102" (2.6M)	24" (60.96cm)	34" (86.36cm)	31-1/2" (80.01cm)	3-5/16" (8.41cm)	2-1/2" (6.35cm)	19 1/2" (49.53cm)	19 1/2" (49.53cm)	2" (5.08cm)	TYPE I CLASS 3	5-1-45G
2.	INDOOR PENNANT	36" (91.44cm)	72" (1.83M)	18" (45.72cm)	25" (63.50cm)	23-5/8" (60.01cm)	2-1/2" (6.35cm)	2-1/2" (6.35cm)	15" (38.1cm)	15" (38.1cm)	2 1/2" (6.35cm)	TYPE II	5-1-45E
3.	OUTDOOR PENNANT	36" (91.44cm)	72" (1.83M)	18" (45.72cm)	25" (63.50cm)	23-5/8" (60.01cm)	2-1/2" (6.35cm)	2-1/2" (6.35cm)	15" (38.1cm)	15" (38.1cm)	2" (5.08cm)	TYPE I CLASS 2	5-1-45B
4.	INDOOR PENNANT	20" (50.8cm)	36" (91.44cm)	10" (25.4cm)	14-3/16" (36.04cm)	13-1/8" (33.34cm)	1-3/8" (3.49cm)	1-1/2" (3.81cm)	8-1/4" (20.96cm)	8-1/4" (20.96cm)	2 1/2" (6.35cm)	TYPE II	5-1-45E
5.	OUTDOOR PENNANT	20" (50.8cm)	36" (91.44cm)	10" (25.4cm)	14-3/16" (36.04cm)	13-1/8" (33.34cm)	1-3/8" (3.49cm)	1-1/2" (3.81cm)	8-1/4" (20.96cm)	8-1/4" (20.96cm)	2" (5.08cm)	TYPE I CLASS 2	5-1-45B

UNLESS OTHERWISE SPECIFIED DIMENSIONS ARE IN INCHES TOLERANCES ON FRACTIONS DECIMALS ANGLES

APPROVED :
US BORDER PATROL

EXAMINED
CHECKED *JM*
PREPARED RR
APPROVED

[Signature]
THOMAS B. PROFFER
DIRECTOR

ACCEPTING OFFICIAL

THE INSTITUTE OF HERALDRY, U.S. ARMY
9325 GUNSTON RD S-112 FORT BELVOIR, VA 22060-5579

BURGEE PENNANT

U.S. BORDER PATROL

SIZE CODE IDENT. NO
D 22571

5-1-815

SCALE DATE 5 NOVEMBER 1998